



CENTAUR SV 6

Semi-Vertical

Cycle Rack Shown is a Streetspace Centaur SV-6
Semi-Vertical Cycle rack
- 6no. Cycles

CENTAUR SV semi-vertical cycle rack is specified for cycle storage in schools, hospitals, residential developments and commercial establishments. The product is installed in cycle stores, shelters and internal cycle storage room applications for highly effective footprint usage in both width and length.

Designed in the UK by Streetspace, CENTAUR SV is manufactured from galvanised steel with a tough, tubular support frame and individual wheel trays set at alternate heights to enable each cycle to be placed and secured in close proximity to the next. Wheel wells formed in the tray hold the cycle in position on the angle when stored and two integral locking points enable varying wheelbase cycles to be secured safely.

With cycles secured in a semi-vertical position the storage depth requirement is minimal and where two sets of semi-vertical racks are positioned facing each other, the shared aisle offers further space efficiency.

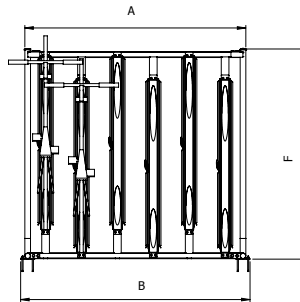
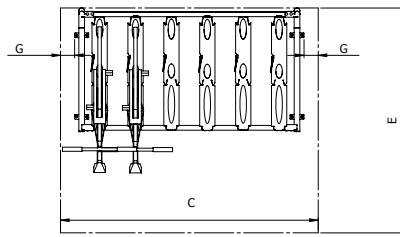


CENTAUR SV 6 Unit Dimensions

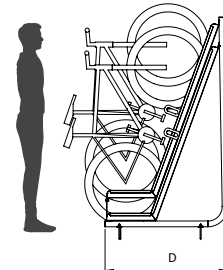
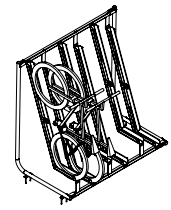
(A)	Top Width:	1878mm
(B)	Base Width:	1949mm
(C)	Recommended Minimum Width For Operation:	2189mm
(D)	Depth:	1096mm
(E)	Recommended Minimum Depth For Operation:	1900mm
(F)	Height:	1775mm
(G)	Recommended Minimum Clearance In Product Width:	120mm

Storage: 6no. Cycles

PLEASE NOTE: Product dimensions given are correct at time of publishing March 2022. All dimensions are in millimetres and capacities in litres and don't form any part of the contract.



FRONT ELEVATION



RIGHT ELEVATION

Technical Information

CENTAUR SV standard configurations enable optimised cycle storage in limited footprints.

Cycle Storage Capacity

CENTAUR SV is available in standard modules that accommodate six, eight, or ten bicycles.

Frame Manufacture

Tubular steel end frames, profiles steel upper and base rails with security fixings to frame and tray components.

Rack Manufacture

Integral fixing plates within the lower frame rails allow ground fixings appropriate to the surface.

Colour Finishes

Hot-dip galvanised finish as standard with optional polyester powder coat frame finish for project colour coordination.

The content of this document is for your general information and use only. Specifications are subject to change without notice. Specifications correct at time of print March 2022.

Streetspace Ltd.

Streetspace Ltd, Lympe Industrial Park, Otterpool Lane, Hythe, Kent CT21 4LR
 e: enquiries@streetspacegroup.co.uk | t: 01227 200404 | www.streetspacegroup.co.uk
 STREETSPACE LIMITED, Registered in England and Wales: 10175199

