

CENTAUR ST2

Cycle Hoops



Cycle Rack Shown is a Streetspace Centaur ST-20
Cycle Hoop Rack
- 20no. Cycles

CENTAUR ST cycle stands follow the design pattern of the ubiquitous Sheffield hoop and are the most cost-effective cycle parking product for storing small to medium numbers of bikes in public spaces and enclosed stores where available footprint is not restricted.

Manufactured in the UK by Streetspace, CENTAUR ST cycle stands are formed from 48mm mild steel tube with radius top corners to avoid potential injury from sharp edges. The standard hot dip galvanised finish ensures lasting durability, with optional powder coated or stainless steel finishes available if required.

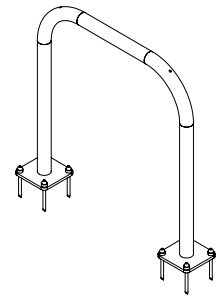
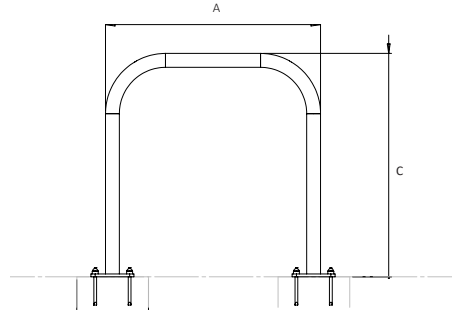
CENTAUR ST cycle hoops are available in three fixing formats; rail fixed, base plated or root fix. Rail fixed (or 'toast rack') bike stands, reduce the number of ground fixings required and are often used in cycle stores or shelters where potential trip hazards are reduced. Base plated has individual ground fixings and root fixed cycle stands are cast in below ground where a clean surface finish is required.

Sheffield ST cycle stands are typically set at 800mm centres although this can be increased to give users more space when locking their bikes. They can also be set out at 45 degrees from parallel to decrease the depth occupied.



CENTAUR ST2 Unit Dimensions

(A)	Overall Depth:	750mm
(B)	Overall Width:	150mm
(C)	Overall Height:	775mm
Storage: 2no. Cycles		



PLEASE NOTE: Product dimensions given are correct at time of publishing December 2022. All dimensions are in millimetres and capacities in litres and don't form any part of the contract.

Coating and Finish Options

CENTAUR ST cycle stands are manufactured from mild or stainless steel with coating options to suit budget, location or coordinate with a specific street furniture scheme.

Hot Dip Galvanised Finish

The standard finish which is highly durable in all environments. The mild steel is chemical cleaned, fluxed and immersed in a molten zinc bath to form a protective coating.

Polyester Powder Coated Finish

An optional colour powder coated finish can be specified in lieu of a galvanised finish with suitable pre-treatment, zinc coating followed by an anti-corrosive primer. Finally a high gloss polyester powder coat finish is applied.

Stainless Steel Finish

Root fixed Sheffield cycle hoops can be specified in stainless steel for marine environments and as an architectural finish.

Stand Fixing Options



Rail Fix (Toast Rack)

Stands are surface mounted to ground fix steel rails.



Baseplate

Integral base plates for individual ground fixing.



Root Fix

Stands are cast into concrete below ground.

The content of this document is for your general information and use only. Specifications are subject to change without notice. Specifications correct at time of print December 2022..

Streetspace Ltd.

Streetspace Ltd, Lympe Industrial Park, Otterpool Lane, Hythe, Kent CT21 4LR
 e: enquiries@streetspacegroup.co.uk | t: 01227 200404 | www.streetspacegroup.co.uk
 STREETSPACE LIMITED, Registered in England and Wales: 10175199

